

workbench

APRIL – JUNE 2026

WIN A FORD RANGER

Find the winning disc in specially marked 3M™ Cubitron™ 3 1182C Fibre Disc buckets to win!

Includes Bonus

5 x 3M™ Cubitron™ 3 Cut-off Wheels Plus
1 x 3M™ High Performance Back-up Pad
with every purchase.



PLUS YOUR CHANCE TO WIN 1 OF 5 GOZNEY ARC GAS PIZZA OVENS



Promo valid: March 1 2026 - September 30 2026.
Visit [3M.com.au](https://www.3m.com.au) for full T&C's. © 3M 2026.

MOTION
Motion.co.nz

CONTENTS

| | | | | | |
|--|--|--|--|---|---|
|  3 |  3 |  4 |  5 |  5 |  5 |
|  6 |  7 |  7 |  7 |  8 |  8 |
|  8 |  8 |  8 |  8 |  9 |  9 |
|  9 |  10 |  11 |  11 |  11 |  11 |
|  11 |  11 |  12-13 |  14 |  14 |  15 |
|  15 |  16-18 |  18 |  19 |  20 |  20 |
|  20 |  20 |  20 |  21 |  22 |  23 |

HIKOKI

36V Brushless 155Nm Impact Drill & 215Nm Impact Driver Kit

Packed with 36V brushless technology and high-powered 1080W Multi Volt batteries, this kit is designed to get the job done fast.

- The most advanced, high-powered drill and driver kit available
- Includes HiKOKI's super quick 32min. Rapid Smart Charging technology with the high-tech fan-cooling system



\$1,049

KC36DC(GRZ) • \$1,206.35 inc gst

18V Brushless Drill, Wrench & Grinder Kit

Kit includes:

- 18V 345Nm Brushless Impact Wrench - Bare Tool
- 18V 13mm Brushless Impact Drill - Bare Tool
- 18V 125mm Brushless Angle Grinder - Bare Tool
- 2x 18V 4.0Ah Slide Li-Ion Battery
- 18V Lithium Ion Rapid Charge
- System Case



\$1,225

KC183DA(GRZ) • \$1,408.75 inc gst

18V Cordless 450G Grease Gun Kit

Kit includes:

- 18V Cordless 450G Grease Gun - Bare Tool
- 1080W Multi Volt Battery & Rapid Charger Starter Kit
- System Case
- Variable flow dials with up to 10 pre-set discharge pressure settings
- High discharge pressure (690 bar)



\$899

AL18DA(GRZ) • \$1,033.85 inc gst

2000W 355mm Metal Cut Off Saw

Powerful 2000W motor with quick release vice and spark diversion guide.

- Capable of cutting shaped steel up to 130 x 130mm



\$439

CC14SF(G1Z) • \$504.85 inc gst

1400W 125mm Heavy Duty Angle Grinder

Heat resistant, super high powered 1400W motor with sleek, low profile head.

- Heat resistant
- Sleek, Low profile head



\$209

G13SB4(G1Z) • \$240.35 inc gst

730W 125mm Angle Grinder

Heat resistant, high powered 730W motor. Strong alloy gearbox. Spindle lock. Ergonomically angled side handle.



\$115

G13SR4(G6Z) • \$132.25 inc gst

GW GEARWRENCH

111pc 1/4 & 1/2 in. Drive Metric/SAE Socket & Reversible Ratcheting Wrenches PTK Set

A versatile toolkit for professionals and DIYers, featuring 1/4" and 1/2" drive sockets (metric and SAE), reversible ratcheting wrenches, wobble extensions, and a 36-piece accessory bit set.



\$299

KD83069 • \$343.85 inc gst

Flex Head Rechargeable Light

With output ratings from 30 to 2,000 lumens, these professional lighting products are designed for durability and long-lasting performance.

- Rechargeable lithium-ion battery with charging indicator for extended run time
- Flex-head directs light into hard-to-reach areas
- Four lighting modes: Flood, Top Light, Flashlight, Red Light



NEW

\$105

GWFL105AU • \$120.75 inc gst

1200A Lithium Battery Jump Starter

Featuring an advanced 4-cell lithium battery, these jump starters deliver industry-leading power and convenience. The high-capacity, compact design makes them ideal for both the shop and on the road.

- Start stranded vehicles safely with 7 built-in protections, including reverse polarity, short circuit, high temperature, and over voltage
- Charge smartphones, tablets, and other devices quickly via multiple USB ports



NEW

\$199

GWLBJ12AU • \$228.85 inc gst



1 YEAR WARRANTY

240V 205L/180kg Drum Heater

- Reliable & built to last
- Suits 205L oil drums & 180kg grease drums
- Maximum operating temperature of 218°C
- Built in temperature control for safety



\$599

L45040PA • \$688.85 inc gst

EL Series 1" Aluminium Diaphragm Pump

- Flow rates of up to 133L/min
- Ideal for transferring & dispensing oil, diesel, waste oil, antifreeze, petrol, waste water, industrial sludge & some compatible chemicals



\$1,413

DP71025 • \$1,624.95 inc gst

Lever Action 450g Grease Gun

- Heavy duty reliable and dependable grease gun
- Generates grease pressures of up to 12000psi (828 bar)
- Uses the Ever Flow System and Twin Lock System
- 450g grease cartridge capacity with a 4 jaw coupler and a rigid extension



\$107

AL600A • \$123.05 inc gst

Samoa 20V Lithium-ion 450g Cordless Grease Gun

- 450g capacity, heavy duty coupler, 3 way loading and bulk grease option
- 2 x 2.0Ah batteries and battery charger supplied
- Corrosion resistant plastic moulded carry case for all parts
- LCD display shows real time dual flow rates, high or low flow operation mode with a function reset button



\$699

AL630A • \$803.85 inc gst

Samoa 20kg Air Operated Grease Kit

- 20kg drum grease kit designed for greasing all day every day
- 55:1 ratio air motor develops grease pressures of up to 7,950psi (548bar)
- Delivers up to 0.9kg per minute



\$995

AL424170 • \$1,144.25 inc gst

Battery Operated 20L Oil Drum Pump

- Rechargeable battery operated 20L oil drum pump
- Supplied with a power head, a lithium-ion battery, a battery charger & a delivery hose
- Delivers up to 280 litres per battery charge



\$659

AL11020 • \$757.85 inc gst

Rewinda Oxy Acetylene Hose Reel

- Designed exclusively for using with oxy propane
- This hose is suitable for all general gas welding & gas cutting applications undertaken by contractors, fabricators and people involved in the construction and industrial fields



\$629

AR6150AR • \$723.35 inc gst

Rewinda High Pressure Wash Down Reel

- Featuring a highly durable synthetic rubber hose suitable for hot water up to 100°C



\$529

AR1217HWR • \$608.35 inc gst

205L Rotary Drum Pump

- Heavy duty hand operated diesel drum pump
- Suitable for the transfer of diesel, petrols, kerosene, lube oil & machine oil



\$209

AL501A • \$240.35 inc gst



Sapphire Silicone Grease

Non-melting, multi-functional silicone grease for long term lubrication at extremes of temperatures.

- Resistant to chemicals, oils and gases
- Suitable for lubricating rubber seals and "O" rings
- Wide temperature range -40°C to +200°C

From **\$26⁵⁰**



Y421515 120g \$30.48 inc gst **\$26.50**
Y421510 500g \$93.15 inc gst **\$81**

Foodlube Grease 2

White, non-toxic bearing grease for effective lubrication of high-load bearings in food and clean industries.

- Suitable for multi-purpose applications operating at low or high temperatures (-50°C to 160°C)
- Excellent corrosion protection and water resistance
- Suitable for the protection of ball, roller and plain bearings, slides and bushes

\$61⁴⁰



Y515330 • \$70.61 inc gst

Foodlube Spray

Non-toxic, food grade, multi-purpose, maintenance spray.

- Penetrates, lubricates, displaces water and protects against corrosion
- Light lubricating spray for small bearings, linkages, pivots, pins, bushes and slides
- MPI Approved C15 & Dairy Approved for farm dairies & dairy processing

\$31⁵⁰



RC15710 • \$36.23 inc gst



Plastic Welder

2-part syringe that bonds hard and soft plastics in any combination.

- Bonds rigid materials including ABS, acrylic, fibreglass, glass, PVC, steel, vinyl and wood
- Sets in 5 Mins, cures in 10 minutes
- Permanent strength up to 3500PSI

\$12⁸⁰



PX84115 • \$14.72 inc gst

Steel Weld Epoxy

2-part multi-metal epoxy adhesive.

- Ideal for complex, multi-piece assemblies.
- Bonds rigid materials including aluminium, brass, chrome, stainless steel, iron
- Use to seal welded seams, fill metal cracks and mount metal components

\$10⁵⁰



PX84109 • \$12.08 inc gst

5 Min General Purpose Epoxy

2-part, fast setting general purpose syringe epoxy adhesive.

- Bonds rigid materials including ceramic, fabric, fibreglass, hard plastics, metal and rubber
- Non-drip gel formula
- Dries clear - sets in 5 minutes, cured in 10 mins

\$10⁵⁰



PX84101 • \$12.08 inc gst

Prussian Bearing Blue

Fitting & assembly compound.

- Aids precision-fitting of machined surfaces
- Locates high spots on bearings, valves, gears and other close to tolerance components
- Non-drying compound

\$11⁹⁰



PX80038 • \$13.68 inc gst



ColdGal Spray

Zinc rich coating for long term protection of steel against rust and corrosion.

- Contains 98.5% pure zinc
- Self healing when scratched
- Fast drying, excellent adhesion and easy to apply

\$22⁵⁰



GGCGA • \$25.88 inc gst

DuraGal Silver

Protective coating providing the appearance of a new Duragal® or hot-dip galvanized surfaces.

- Long term corrosion protection of steel
- Fast drying Silver Satin finish

\$21



GGDSA • \$24.15 inc gst



SW-33 Mobile Parts Washer & Starter Kit

Bioremediating parts washer that safely cleans parts and equipment.

- Easy and efficient maintenance
- Compatible with SW-X1 OzzyJuice



\$4,595

SW33-4 • \$5,284.25 inc gst

CRC 5-56 Multi-Purpose

A Multi-Purpose versatile lubricant that penetrates, lubricates, and prevents corrosion. It's ideal for addressing rust, electrical issues, and general maintenance, and it is available in various sizes.

- Multi-purpose lubrication
- Stops and attacks rust
- Displaces moisture
- Stops squeaks

From **\$9**



| | | | |
|------------|-------|-----------------|--------------|
| CRC1751837 | 420ml | \$10.35 inc gst | \$9 |
| CRC1751846 | 4L | \$62.10 inc gst | \$54 |
| CRC5009 | 20L | \$253 inc gst | \$220 |

CRC 5-56 Industrial 420ml

Industrial lubricant fortified with PTFE excels in start/stop lubrication, penetrates rust and corrosion, displaces moisture, and forms a protective barrier against water and oxygen.

- Fortified with PTFE for enhanced lubrication during start/stop movements
- Long-lasting protective film guards against corrosion

From **\$1190**



| | | | |
|------------|-------|------------------|----------------|
| CRC1751842 | 420ml | \$13.69 inc gst | \$11.90 |
| CRC1751847 | 4L | \$69 inc gst | \$60 |
| CRC5012 | 20L | \$281.75 inc gst | \$245 |

CRC Food Grade Silicone 4L

A multi-purpose dry film silicone lubricant for use on food processing and handling equipment.

- Temperature Range from -40°C to 200°C.
- MPI Approved
- NSF H1
- Registered for incidental food contact



From **\$88.50**

| | | | |
|---------|-----|------------------|----------------|
| CRC3042 | 4L | \$101.78 inc gst | \$88.50 |
| CRC3041 | 20L | \$431.25 inc gst | \$375 |

ADOS Food Grade Sealant White 300g

Low modulus silicone joint sealant with 100% neutral cure, highly flexible and resistant to mold and mildew. Excellent adhesion to plastics, ceramics, stainless steel, metals, and glass.

- Specially formulated for food, pharmaceutical, and clean environments
- Ideal for refrigerated rooms
- Suitable for household and commercial uses

\$1140 EA



| | | | |
|---------|-------------|-----------------|----------------|
| CRC3310 | White | \$13.11 inc gst | \$11.40 |
| CRC3312 | Translucent | \$13.11 inc gst | \$11.40 |
| CRC3314 | Titania | \$13.11 inc gst | \$11.40 |

CRC Food Grade Contaminant & Label Release 400ml

Designed to remove dirt, grease, oils, adhesives and other contaminant from machinery and electrical components in the food industry.

- Plastic-safe formula
- Safe for electronic & electrical components

From **\$21**



CRC3103 • \$24.15 inc gst

CRC Food Grade Anti-Seize 227g

A premium anti-seize compound with PTFE, specifically formulated for use in applications where incidental food contact is possible.

- Tenaciously adheres to metal surfaces
- Protects against destructive metal-to-metal contact
- Effective on sliding and rotational contact surfaces



From **\$31**

CRC35905 • \$35.65 inc gst

CRC Food Grade Penetrating Oil 312g

An industrial strength, low viscosity penetrant designed to quickly loosen and free seized, bound or frozen fasteners on all food processing equipment.

- Low surface tension formula
- Penetrates cracks, seams, threads, and joints efficiently
- Loosens rusted and corroded parts

\$1580



CRC3086 • \$18.17 inc gst

CRC Food Grade Synthetic Lube 400ml

A synthetic multi-purpose lubricant designed for applications in the food industry and equipment directly exposed to food products.

- Synthetic blend forms a colourless, odorless, tasteless film
- Effective under harsh conditions
- Outperforms traditional wet lubricating oils

\$1810



CRC3362 • \$20.82 inc gst



Fuel and Oil Funnel

- High-flow funnel with extra-large wide mouth
- Heavy-duty polyethylene for fuels and oils
- Compliant materials for outdoor use
- Built-in tie hole for hanging and storage



L-FOFL • \$20.13 inc gst

Lever Action Grease Gun 450g

Fitted with bulk loader and air release valve and air release valve.

- 150mm steel extension & 4 jaw coupler
- Develops 69,000 kPa (10,000 psi)
- Delivers 1 gram per shot
- Suitable for greases up to NLGI 2



L-LG450 • \$67.85 inc gst

Diesel Auto Metered Nozzle - 120LPM

- Automatic shut-off prevents spills and waste
- Digital meter shows real-time fluid measurement
- Inlet strainer blocks debris
- Trigger locks in 3 positions for flow control
- Lightweight, durable aluminum body



L-FNAD120M • \$332.35 inc gst

AD BLUE/DEF Metered Auto Nozzle

- Automatic shut-off prevents spills and waste
- Digital meter provides accurate, real-time measurement
- Lightweight poly body with stainless steel spout
- Trigger locks in 2 positions for flow control
- Suitable for Urea/DEF in multiple industries



L-PANM • \$465.75 inc gst

Aluminium Air Blow Gun Kit

- Light weight and durable aluminium body
- 1/4" Nitto style fitting included
- 3 nozzles included versatile application
- Compact ergonomic handle design



RA-AGA • \$45.43 inc gst

Top-up Pump Bottle - 1L

- 1L bottle for lubricating oils and service fluids
- Flexible hose and nozzle with drain-back to prevent spills
- 100ml graduations for easy measuring
- Ideal for hard-to-fill applications
- Easy to prime and use



L-TUPIL • \$27.60 inc gst



R3 Air/Water Retractable Hose Reels - Blue

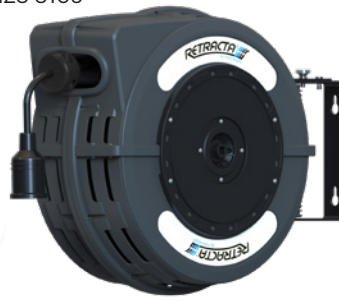
- inlet - 3/8", Outlet 1/4" BSP
- Durable blue UV-stable, impact-resistant case
- Wear-resistant Pro-Glide™ mouth for smooth operation
- 3/8" x 20m hybrid polymer hose



AW320B-01 • \$435.85 inc gst

Electrical Cable Reel 10A x 20m - Dark Grey

- Organised and hassle-free cable management
- Features a retractable mechanism for quick and easy cable extension and retraction
- UV-stabilised and resistant poly case
- 180° swivel bracket with 3-position reel swivel lock
- SAA: AS/NZS 3105 standards



C1EC10A20D-AU • \$481.85 inc gst



AutoSwitch 450g Pistol Grip Grease Gun

Dual piston mechanism builds up to 12,000 psi by hand. Detects line back pressure for seamless single-handed operation.

- Automatic switching eliminates manual pressure changes
- Blue pin indicator signals high-pressure mode
- Bulk-fill compatible for cost-effective, clean greasing



K75P-01 • \$166.75 inc gst



Mamba Slimline Pro Series Earmuffs

Slimline earmuffs are Class 5 and dielectric with no metal components.

- Hearing protection for noise levels to 110dB(A)
- Metal free, dielectric earmuffs



\$29

EMMAMS • \$33.35 inc gst

Pyromate Welders Blanket

Offers moderate heat protection and is generously sized.

- Heavy duty chrome leather for added durability
- Kevlar stitched to increase resistance to heat, cuts and abrasion
- 1.8M x 1.8M



\$79

WB • \$90.85 inc gst

Pro Choice Heavy Duty Disposable Gloves

Specifically designed for use in the industrial, automotive repair & paint trade.

- Made from 100% low odour nitrile
- Improved protection from oils, grease, fuels, cleaners, solvents, chemicals & transmission fluid



\$15 EA

| | | | |
|---------------|-----|-----------------|------|
| MDNPFHD_BKS | S | \$17.25 inc gst | \$15 |
| MDNPFHD_BKM | M | \$17.25 inc gst | \$15 |
| MDNPFHD_BKL | L | \$17.25 inc gst | \$15 |
| MDNPFHD_BKXL | XL | \$17.25 inc gst | \$15 |
| MDNPFHD_BK2XL | 2XL | \$17.25 inc gst | \$15 |

Pro Choice DexiFrost Glove

The Dexifrost glove offers light thermal protection, while not compromising dexterity and grip.

- 13 gauge blue nylon/lycra with brushed acrylic liner for warmth and comfort
- Anatomically designed for dexterity, comfort and fit



\$7.50 EA

| | | | |
|---------|---------|----------------|--------|
| BNNLF7 | Size 7 | \$8.63 inc gst | \$7.50 |
| BNNLF8 | Size 8 | \$8.63 inc gst | \$7.50 |
| BNNLF9 | Size 9 | \$8.63 inc gst | \$7.50 |
| BNNLF10 | Size 10 | \$8.63 inc gst | \$7.50 |
| BNNLF11 | Size 11 | \$8.63 inc gst | \$7.50 |

Cirrus Flexible Arm Safety Glasses

Medium impact rated and offer 99.9% UV protection.

- Anti-fog, anti-scratch lens
- Super flexible soft temple arms enhances grip and comfort



\$6 EA

| | | | |
|---------|-------|----------------|-----|
| PRO9180 | Clear | \$6.90 inc gst | \$6 |
| PRO9182 | Smoke | \$6.90 inc gst | \$6 |



Powersoft Ez-Twist Hybrid Earplugs Uncorded (50 Pairs)

Unique hybrid design for perfect fit, high protection, and maximum comfort.

- PowerSoft Foam Hybrid Plug technology
- Just Insert & Twist! The fastest fitting foam ear plugs



\$26

267-HPF610-50 • \$29.90 inc gst



TOHO Compact Wire Rope (Builders) Hoist -250kg capacity

- Designed to hang from scaffold tubing for material lifting
- 30m lift with auto stop feature
- Heavy-duty construction with scaffolding safety latch
- 240V / 3-pin plug power supply
- 7m pendant length
- Class F insulation
- IP ratings: Hoist IP44, Coded Control
- IP65, Optional Remote IP55



\$999

TBH250 • \$1,148.85 inc gst

Heavy Duty Cargo Net

- Multi-purpose cargo net suitable for many uses
- High strength UV resistant mesh
- Heavy-duty rip proof netting
- Multiple tie-down points
- Multiple eyelet anchor points
- 4x ratchet tie down sets
- 1x Wire rope
- 2x Snap hooks
- Suitable for trailers, utes, trucks and boats
- Medium: 3.0m x 2.6m WLL1000kg
- Small: 2.4m x 2.4m WLL1000kg

From \$249



| | | | |
|----------|--------|------------------|-------|
| GCN-HD-S | Small | \$286.35 inc gst | \$249 |
| GCN-HD-M | Medium | \$320.85 inc gst | \$279 |



750W Bench Grinder

- Diamond wheel dresser
- Adjustable plain eyeshields
- Cast metal tool rests
- Adjustable LED work light
- Wide guards for wire wheels
- Shipping 25kg / 0.056m3



\$320

LIBG8 • \$368 inc gst



Automatic Beaver Threading Machine 50G

- 50G 1/2 - 2" threading machine designed to give accurate threads for most pipe and bolt (rod) applications
- Free Trolley (\$1200 value)



\$5,795

B50G-STAND • \$6,664.25 inc gst



Hydraulic Pipe Bender

- Model 024 - 1/2" - 2" N.B.
- Six formers, two bobbins, and pins included
- Flip-top frame for easy replacement
- Spring return ram with bending radius stop
- Two-stage pump action
- Lightweight aluminum formers with wide arc support



\$1,290

024 • \$1,483.50 inc gst



Brass Pin & Drift Punch Set

- Manufactured from solid brass to prevent damage of hard surface materials
- Featuring a hexagonal or knurled shaft for superior grip
- Non sparking and non marring
- 3 piece set



\$64²⁰

301488 • \$73.83 inc gst

Automatic Center Punch

- Ideal for setting and marking out screw or nail holes in one operation
- Simply adjust to desired spring tension, press firmly against work piece for automatic centre punch
- No hammer required for operation
- Hardened steel tip ensures maximum durability and long service life
- Overall length: 160mm
- Made in Japan



\$44³⁰

321040 • \$50.95 inc gst

Circlip Tool Heavy Duty

- Screw type design enables to maintain jaw position with precise control during operation
- Compound scissor action allows for use on large circlips
- Suitable for internal and external applications
- Applicable for automotive and industrial use
- Jaw opening: 70mm (max)
- Overall Length: 300mm
- Capacity: 45-180mm (circlip diameter)
- Circlip tip sizes: 2.1mm, 2.8mm, 3.8mm & 4.1mm



\$112

302141 • \$128.80 inc gst



Twin Leg Puller

- Spread: 0-350mm
- Reach: 380mm
- Leg Style: Standard adjustable
- Made in England



\$489

SP083300 • \$562.35 inc gst



File Set 19pc

- Includes 4x 200mm files,
- 14x needle files and a file card cleaning brush
- Supplied in a handy zip-up wallet



\$65

SEF-19 • \$74.75 inc gst

Professional Knife Set 11pc

- High quality German stainless steel blades
- 6" trimming/pairing, filleting straight and curved, boning and skinning knives
- 8" straight filleting knife
- 10" bull nose knife
- 10" chefs knife
- Sharpening stone
- Sharpening steel and protector



\$139

BKK-11WA • \$159.85 inc gst

DTI & Magnetic Base Combo

Plunger style dial indicator complete with magnetic base to suit wide range of measuring applications.

- Dial indicator with 10mm range, 0.01mm graduations, 0-100 reading
- Magnetic base 190mm height with positive on/off switch & fine adjustment



\$140

3657AA+3025-481 • \$161 inc gst

6pc Smooth Cut Hole Saw Set

- Ideal for cutting stainless, tool and mild steel sheeting, wood and thin plastics
- Safety stop at the base of the hole saw prevents saw travel beyond the hole saw depth of 13mm (1/2")



\$290

BONUS EVO SMART WATCH



KCS06001 • \$333.50 inc gst

Combination Square & Digital Caliper Set

- Starrett precision 300mm combination set with square, centre and non-reversible protractor head and blade plus a 4"/100mm fractional digital caliper



\$399

C9ME-300+EC799AF-4/100 • \$458.85 inc gst

Chopping Board & Carving Set

- Premium quality, durable and warp-resistant wood
- Slide out draw
- German 14116 stainless steel with zebra wooden handles
- Includes 360mm carving knife and 330mm carving fork



\$125

SKK-2WD • \$143.75 inc gst



M18 135mm Circular Saw Skin

Provides more power, more run-time, and longer life.

- The MILWAUKEE® REDLITHIUM™ Battery Pack is the most durable pack on the market delivering more run-time, power and longer battery life
- REDLINK™ PLUS Electronic Intelligence enables advanced communication between your batteries and tools, allowing for unmatched levels of performance, protection, and productivity
- Overload protection and electronic clutch
- Integrated hang hook allows tool to hang on ladders and common building materials reducing damage due to drops
- LED light shows accurate line of cut for increased accuracy
- Brushless motor has no wearable components delivering longest tool life



\$485

M18FMCS-0 • \$557.75 inc gst

M18 FUEL™ 16mm SDS Plus Rotary Hammer (Tool Only)

- Versatile, compact design and fast drilling in 18V compact class
- Up to (89) 6mm x 50mm holes per charge using M18HB3 (HIGH OUTPUT™ optimised)
- 3 Modes: Rotary Hammer, Rotary Only, Hammer Only for light material removal
- Anti-Vibration System (AVS) for maximum user comfort
- AUTOSTOP™ Kickback Control senses bind-up and prevents over-rotation
- Integrated hang hook for functional storage and convenience
- Shadowless lighting provides increased visibility
- Compatible with M18 FUEL™ HAMMERVAC™ 16mm *Dedicated Dust Extractor (M18FDDEC160)



\$569

M18FHAC160 • \$654.35 inc gst



JOB SITE SOLUTIONS

With more than 250 dedicated Job Site Solutions (JSS) specialists covering every corner of Australia and New Zealand, support is available on-site wherever it's needed. The team recommends the most appropriate Milwaukee™ solutions, provides advice on optimising processes, and helps businesses take full advantage of Milwaukee's™ cross-platform innovation. Customers can also test drive the latest products and experience the Milwaukee™ difference firsthand.



**BOOK A TEST DRIVE
WITH A MILWAUKEE SPECIALIST**

JAMEC PEM

Digital Tyre Inflator ACS1500

- Rechargeable lithium-ion battery with 60-hour life
- Durable diecast aluminium body with composite casing
- Accurate multiscale gauge with advanced ceramic sensor
- Clear, high-contrast VA LCD screen
- Reduces costs by improving tyre life and safety



\$169

JP11.0823 • \$194.35 inc gst



Set 7 Hex Gorillagrip Fold Up 2-8mm

- Patented handle design for faster, easier jobs
- Durable GorillaGrip® handle stronger than steel
- Adjustable tool tension for user control
- Up to 20% stronger with more torque and wear resistance than standard steel
- Moulded 90° stop converts tool into a time-saving speed wrench



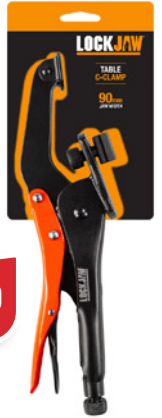
\$19⁵⁰

BO12587 • \$22.43 inc gst

LOCKJAW

Clamp Locking 275mm T-Slot Bench Hold Down Lockjaw

- This clamp is ideal for securing materials to t-track workbenches
- LOCKJAW™ Pliers and Clamps speed up tasks for thick or thin materials
- Made from durable, rust-resistant Chrome Vanadium steel
- 15% thinner handle for better grip and increased power



\$52⁹⁰

L2200275 • \$60.84 inc gst

sutton

Silver Bullet Jobber Drill Set 19pc

- General purpose drill
- Suitable for ferrous and non-ferrous materials: steel, aluminium, brass, wood, plastics
- Includes 1-10mm x 0.5mm rises
- 118° standard point for versatile use
- Precision engineered parallel shank for accurate hole size



\$105

E2M • \$120.75 inc gst

Straight Flute Tap & Drill Set 14pc

- For general purpose use
- Suitable for materials up to 1000N/m
- Suitable for both hand and machine operations
- Depths up to approx. 1 x d1



BONUS: SUTTON LUNCH BAG

\$259

T3850014 • \$297.85 inc gst



FN

Engineers File Set

- Suitable for tradesmen and home users with a comprehensive range
- Ergonomic soft grip handle for comfort
- Double Cut: less effort, smooth finish
- Bastard Cut: coarse finish for stock removal
- Double Cut: For filing & good surface finish



From \$43

PW3409061 150mm \$49.45 inc gst **\$43**
 PW3409081 200mm \$60.95 inc gst **\$53**
 PW3409101 250mm \$75.90 inc gst **\$66**

TradeFlame

Propane Inferno Burner

- Powerful propane torch for home and garden use
- Ideal for weed burning, road repair, paint removal, snow melting, roofing, and metal pre-heating
- Kit includes burner with TFP handle (Piezo ignition), 3m AGA-approved hose, and POL regulator
- Made from high-quality brass with angled 560 mm neck for comfort
- 50mm burner, precise flame control with spring-loaded valve
- Adjustable regulator valve (1 to 4 bar)

\$184⁵⁰



JP215378 • \$212.18 inc gst



Cubitron™ 3
Performance Abrasives

\$205

Win a Ford Ranger.

Find the winning disc in specially marked 3M™ Cubitron™ 3 1182C Fibre Disc buckets to win.

3M1182C36125BUCKET
\$235.75 incl GST



Includes Bonus

5 × 3M™ Cubitron™ 3 Cut-off Wheels Plus
1 × 3M™ High Performance Back-up Pad
with every purchase.



**PLUS your chance to win
1 of 5 Gozney Arc Gas Pizza Ovens**

Promo valid: March 1 2026 - September 30 2026. Visit 3M.com.au for full T&C's. © 3M 2026.



Cubitron™ 3
Performance Abrasives



Powered by 3M re-engineered precision-shaped grain technology.

From **\$790**

NEW

Up to **82%** more material removed

compared to a leading competitive AZ flap disc

Up to **85%** faster sustained cut-rate

compared to a leading competitive AZ flap disc

3M™ Cubitron™ 3 Flap Disc 1169F

Available in 40+, 60+, 80+.
Produce more. With less.

Maximising productivity and flexibility

| | | | |
|-----------------|-------------|-----------------|---------|
| 3MFD1169F11580+ | 115mm X 80+ | \$9.09 inc gst | \$7.90 |
| 3MFD1169F12540+ | 125mm X 40+ | \$10.24 inc gst | \$8.90 |
| 3MFD1169F12560+ | 125mm X 60+ | \$10.24 inc gst | \$8.90 |
| 3MFD1169F12580+ | 125mm X 80+ | \$10.24 inc gst | \$8.90 |
| 3MFD1169F18040+ | 180mm X 40+ | \$17.94 inc gst | \$15.60 |
| 3MFD1169F18060+ | 180mm X 60+ | \$17.94 inc gst | \$15.60 |
| 3MFD1169F18080+ | 180mm X 60+ | \$17.94 inc gst | \$15.60 |

3M, 3M Science. Applied to Life. and Cubitron are trademarks of 3M. © 2025, 3M. All rights reserved.



CUBITRON™ II
Industrial Abrasives

We've got you covered.

3M™ Xtract™ Cubitron™ II Film Disc 775L – Now Available in New Grades

3M Xtract™ Cubitron™ II Film Disc 775L

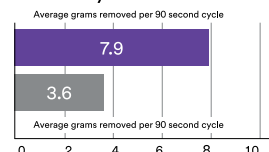
80+ | 120+ | 150+ | 180+ | 220+ | 240+ | 320+ | 400+ | 500+ | 600+ | 800+ | 1000+

Applications:
Dimensioning, coating material removal, de-flashing, edge rounding

Applications:
Scuffing and prepping for topcoat, coating refinement and re-work

Up to **2x** More Speed¹

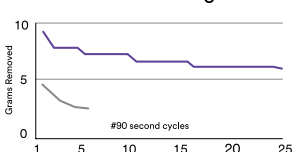
Designed to provide you with the finish you need faster.



● 3M Xtract™ Aluminum Oxide 236U, P180
● 3M Xtract™ Cubitron™ II 775L, 180+

Up to **6x** More Life²

Designed to help you lower costs and reduce disc changeovers.



● 3M Xtract™ Aluminum Oxide 236U, P180
● 3M Xtract™ Cubitron™ II 775L, 180+

For any enquires contact Dan
027 433 8098
Daniel.Godbold@motion.co.nz

POWERBUILT®



\$175

\$201.25 inc gst

1/2" DR 23PC METRIC SOCKET SET

Sockets: 10mm to 32mm, Drive accessories: ratchet, extensions, universal joint, 3-way adapter
KBT2759

BONUS METRIC SOCKET & BIT SET
1/4DR 30PC

#KBT2773

ENGINEERS SQUARE

Accurately check and mark angles, or verify the squareness of straight edges

100MM MOTO110

\$15.50

\$17.83 inc gst



150MM MOTO111

\$18.50

\$21.28 inc gst



OIL-FREE AIR COMPRESSOR 50L 2,900 WATTS

Portable quiet large-capacity compressor ideally suited for the workshop or shed.

- Twin 1450-watt motors and pumps.
- Italian-designed trade quality compressor
- Twin ARO fittings for running two tools simultaneously
- Fast tank filling at only 69 seconds
- 15amp plug

AC5014502X



\$599

BONUS 10M HYBRID AIR HOSE

\$688.85 inc gst #NHS00110

1/4", 3/8", 1/2" DR 94PC MM/SAE SOCKET SET + 9DR TOOL CHEST

Includes 1/4", 3/8", 1/2" Dr Sockets ranging from 4mm to 36mm, assorted ratchets and large selection of drive accessories.

Set in a professional 9 drawer lockable tool box with ball-bearing slides on all drawers.

KIT71B41

\$785

\$902.75 inc gst



LED RECHARGEABLE WORK LIGHT + POWER BANK 550 LUMENS

- Versatile angles and directions, including hook and magnet
- Charging dock

TLS1070



\$45

\$51.75 inc gst



BAG OF RAGS COLOURED 10KG

- Soft, non-abrasive and durable coloured T-Shirt Rags
- High absorbency, all purpose cotton, low lint
- Assorted colour, size and quantity per pack

RAGSCTS10

\$30

\$34.50 inc gst

JET Force

DIESEL DIRECT FIRED PORTABLE HEATER

Fan forced for superior heat distribution. Efficient, compact and portable heating for large spaces.

51KW Output
320M2 Heating area
JF50



\$1095

\$1,259.25 inc gst

JET Force

DIESEL RADIANT PORTABLE HEATER

Efficient, compact and portable heating for large spaces. Built in fan for better heat distribution. Adjustable thermostat.

21KW Output
160M2 Heating area
JF21



\$965

\$1,109.75 inc gst

GET CONNECTED WITH MOTION NEW ZEALAND!



SCAN ME



SCAN ME



SCAN ME



Zirconia Flap Discs

Trusted by professionals for aggressive stock removal, long service life, and a consistent finish on steel and stainless steel.

- Layered Zirconia flaps for smooth, consistent cutting and finishing
- Flexible backing plate reduces vibration, improves control, and extends disc life



\$8 EA

| | | | |
|--------------|------|----------------|-----|
| FD5SMT6-36G | 36G | \$9.20 inc gst | \$8 |
| FD5SMT6-40G | 40G | \$9.20 inc gst | \$8 |
| FD5SMT6-60G | 60G | \$9.20 inc gst | \$8 |
| FD5SMT6-80G | 80G | \$9.20 inc gst | \$8 |
| FD5SMT6-120G | 120G | \$9.20 inc gst | \$8 |

Bucket 'O' Thins

- Kronenflex A60TZ special cut off discs deliver high aggressiveness and long service life
- Suitable for cutting stainless steel, steel and non-ferrous metals
- A highly effective wheel that truly shines when used for cutting metal sheets, thin pipes or profiles



\$249



BUCKET1251 • \$286.35 inc gst



Parts Washer Fluid 20L

- Aqueous-based cleaning fluid for conventional and rotating parts washers using water-based degreasers
- Safer alternative to flammable, caustic solvents
- Dilutable for general cleaning and degreasing applications
- Features Quick Break for disposal through oil/water separators, reducing hazardous waste costs
- Ideal for applications where low foam is preferred



\$165

SG19484 • \$189.75 inc gst

Outdoor Cleaner Concentrate

- Safely removes mould and mildew stains from outdoor surfaces and helps prevent fast regrowth of moss and mould
- Penetrates and loosens embedded dirt
- Suitable for concrete, pavers, decking, outdoor furniture and more (MPI approved C32)
- Cleaner and deodoriser; readily biodegradable and non-flammable
- Bleach-free, phosphate-free, non-acidic and non-caustic



From **\$25.90**

SG35002 2.5L \$29.79 inc gst **\$25.90**
SG34043 20L \$182.85 inc gst **\$159**

SUPER SPECIALS

HiKOKI 36V and 18V 7-Tool Kit

- DV18DBSL 13mm 70Nm impact drill
- WH18DBSL 1/4" 175Nm impact driver, C3607DA 185mm circular saw
- G3613DB 125mm angle grinder
- CR18DBL reciprocating saw
- M1808DA 1/4" router
- CJ18DA jigsaw
- 2x 1,080W batteries
- Rapid charger and wheeled tool bag



\$1,940

KC36187DA(GRZ) • \$2,230.00 inc gst

HiKOKI 36V Brushless Belt Sander 76x533mm Bare Tool

- 5-stage variable speed dial
- Auto mode to attack various applications
- Tool-free quick belt change and tracking system
- Blower function with backward dust exhaust
- Includes durable dust bag and 1x 80g 76x533mm sanding belt



\$430

SB3608DA(G4Z) • \$494.50 inc gst

HiKOKI 36V 13mm Heavy Duty Brushless Drill Bare Tool

- Super heavy duty 36V brushless motor
- Designed for heavy duty drilling performance
- Ideal for electricians, plumbers, and engineers for large capacity drilling under high load
- Reduction gearbox to deliver high output
- 13mm heavy duty metal keyless chuck
- Variable speed trigger
- Supplied without batteries, drill bit and charger



\$340

D3613DA(G4Z) • \$391.00 inc gst

HiKOKI 36V Impact Wrench and Angle Grinder Kit

- WR36DB 1/2dr 1,050Nm impact wrench
- G3613DB 125mm angle grinder



\$1,040

KC36GWL(GKZ) • \$1,196.00 inc gst

HiKOKI 36V/18V Brushless 6-Tool Kit

- DV18DE 13mm 70Nm impact drill
- WH18DE 1/4" 175Nm impact driver
- G1813DA 125mm slide switch angle grinder
- C3607DA 185mm circular saw
- CR18DMA 130mm sabre saw
- SV1813DA 125mm random orbital sander
- 2x 1,080W batteries, rapid smart charger and bag



\$1,870

KC18366DA(GRZ) • \$2150.50 inc gst

HiKOKI 36v 1/4in Imp Driver Kit 2x 1080w Batteries

- Highly visible triple LED light design
- 5-mode selector: soft mode / power mode bolt mode / bolt single mode / self-drilling mode
- IP56 water and dust resistant
- 2x 1080W Multi Volt batteries, 32 min rapid charger and case



\$730

WH36DC(GGZ) • \$839.50 inc gst

ATRA ACE Cordless Magnetic Base Drill

- Soft-start, auto-stop, self-check and warning functions
- 2x Li-Ion batteries, charger, safety strap, ejector pin and case



\$2,190

NTCLA-2720 • \$2,518.50 inc gst

Toledo Cranked Spanner Wrench Set

- Ideal for holding, removing and tightening damper, crank, power steering pump, alternator, radiator fans and difficult to access pulleys
- Contains 13 popular metric and E-Star adaptors



\$120

304047 • \$138.00 inc gst

Gearwrench Flex Head Ratchet Wrench Set 10pc SAE

- SAE 90 Tooth Ratcheting Wrenches
- 1/4", 5/16", 11/32", 3/8", 7/16", 1/2", 9/16", 5/8", 11/16" & 3/4"
- 90-tooth ratcheting box end delivers a 4-degree swing arc to turn a fastener in tight spaces



KD87026 • \$310.50 inc gst

AmPro Air Drill 13mm Reversible Keyless Chuck

- Handle exhaust directs air away from work area
- Positive action trigger for variable speed control up to 450rpm
- Side handle for extra control and comfort
- Keyless chuck for easy drill replacement
- Average air consumption 4cfm @ 90psi



AMPROA2446 • \$310.50 inc gst

Metabo 750W Impact Drill

- Marathon motor
- S-automatic safety clutch
- Vibration damping



SBE751 • \$373.75 inc gst

Milwaukee MX FUEL™ HEX Impact Driver Skin

- Provides fast driving speeds and maximum power in a compact design
- Delivers up to 226Nm of torque increasing user's productivity for the most demanding fasteners on the job



M18FID2-0 • \$379.50 inc gst

Milwaukee MX FUEL™ Tower Light

- Up to 27,000lm (AC power) or 20,000lm (battery) of TRUEVIEW™ high definition output
- 4x independently adjustable light heads
- Integrated charger function and ONE-KEY™
- Motorised mast reduces setup time
- IP55 protection (on battery use only) for use inside and out
- Withstands winds to 56km/h
- Rugged 200mm rubber wheels



MXFTL-0 • \$4,542.50 inc gst

Milwaukee M18 FUEL™ 125mm Bandsaw Skin Only

- Cuts steel up to 125x125mm
- Tool-free blade changes
- Slim full metal motor housing



M18CBS125-0 • \$517.50 inc gst

Milwaukee M18 FUEL™ ONE-KEY™ 125mm Dual Trigger Braking Angle Grinder

- 15 position handle for ease of access in tight spaces
- RAPIDSTOP™ braking with <1 second accessory braking
- 4-mode variable speed (3,500 5,000 6,500 8,500rpm)
- AUTO-STOP™ to ensure the grinder stops when bound up in material



M18FSAGES1250 • \$592.25 inc gst

Milwaukee MX FUEL™ Handheld Core Drill

- Two speed settings, optimised for holes sized 25-76mm and 76-152mm
- ONE-KEY™ Tracking & Management
- On Board Digital Level & Performance Gauge to Optimise Drilling Zone



MXFDCD150-0C • \$1,104.00 inc gst

PHAROS Engineers Vices

These vices are cast from SG Iron giving them higher ductile strength. The double ribbed design ensures good stability, and all parts are manufactured to provide long life performance.

- Guaranteed UNBREAKABLE
- Smooth Operation
- Large anvil
- Heavy duty jaws with v-grooves
- Heavy duty handle with knurling for easy grip



| | | | |
|-----------|------------|------------------|--------------|
| TBPIV0020 | 100mm (4") | \$164.45 inc gst | \$143 |
| TBPIV0021 | 125mm (5") | \$223.10 inc gst | \$194 |
| TBPIV0022 | 150mm (6") | \$265.65 inc gst | \$231 |
| TBPIV0023 | 200mm (8") | \$400.20 inc gst | \$348 |

SUPER SPECIALS

Powerbuilt 2000W Inverter Generator

- Rugged suitcase design
- Eco throttle reduces fuel consumption and noise at low loads
- 3hp, 2000 Watts (2.4kW) Max, 1800 Watts (2.25kW) Rated

\$950



PBI2000X • \$1,092.50 inc gst

Powerbuilt 2pc Combo 41" Chest & Cabinet

- 8 Drawer Black
- Tool Chest
- 1042 x 449 x 545mm
- 11 Drawer Black
- Roller Cabinet
- 2 fixed and 2 castor wheels
- 1065 x 460 x 975mm

\$1,520



RS5758 • \$1,748.00 inc gst



Argyle Zip Scuff

Size 5-14; 7.5-11.5 half sizes.

- Lace-up and zip ankle safety boot
- 200J steel toe cap and abrasion resistant scuff cap toe cover
- Premium leather, anti-static properties and heat resistant to 130°C TPU outsole

312652-050-WHT - 312652-140-WHT • \$228.85 inc gst
 312652-050-BLK - 312652-140-BLK • \$228.85 inc gst
 312652-050-SND - 312652-140-SND • \$228.85 inc gst



\$199

Argyle Zip Scuff Waterproof

Size 5-14; 7.5-11.5 half sizes.

- Waterproof lace-up and zip ankle safety boot
- 200J steel toe cap and abrasion resistant scuff cap toe cover
- Premium waterproof leather, anti-static properties and heat resistant to 130°C TPU outsole
- Advanced comfort technology for all-day wear



\$245

312639-050-BBR - 312639-140-BBR • \$281.75 inc gst

Southern Cross® Zip Scuff PR

Size 5-14; 7.5-11.5 half sizes.

- Lace-up and zip ankle safety boot
- 200J steel toe cap and abrasion resistant scuff cap toe cover
- Premium leather, anti-static properties and heat resistant to 130°C TPU outsole
- Penetration resistant midsole
- Advanced comfort technology for all-day wear

392661-050-BLK - 392661-140-BLK • \$247.25 inc gst
 392661-050-SND - 392661-140-SND • \$247.25 inc gst



\$215

Hobart Scuff

Size 4-14; 6.5-12.5 half sizes.

- Pull-on safety work boot for tough environments
- 200J steel toe cap and abrasion resistant scuff cap toe cover
- Premium leather, anti-static properties and heat resistant to 130°C TPU outsole
- Anti-static properties

312601-040-BLK - 312601-140-BLK • \$182.85 inc gst
 312601-040-SND - 312601-140-SND • \$182.85 inc gst



\$159

ARCOPRO®

Mig Welder 3in1 350amp 3 Phase 20amp

- 3-in-1 Welder Inverter
- MIG - Stick TIG
- 350A
- 3-in-1 multi-process welder with separate wire feeder
- Stick and Lift-TIG function
- Three-phase 20A supply
- Supplied with electrode holder, MIG torch, regulator and more

\$4,695



ARCOMIG350SWF • \$5399.25 inc gst

3-in-1 220A Multi-Process Welder

- 220A Stick, MIG and Lift-TIG welder
- Fits 5kg and 15kg spools
- Single phase with 15A plug
- Includes electrode holder, MIG torch, regulator and more

\$1,450



ARCOMULTIMIG220 • \$1667.50 inc gst

TIG200 AC/DC HF Inverter Welder

- Adjustable pulse frequency and width
- Single phase inverter welder
- DC for mild and stainless steel
- High frequency or Lift-TIG arc starting
- MMA with adjustable hot start and arc force
- Variable amp torch included
- Single phase with 15A plug

\$1,895



ARCOTIG200ACDCHF • \$2179.25 inc gst

Arcopro Mig Welder 3in1 500amp 3 Phase 32amp

- 3-in-1 Welder Inverter
- MIG - Stick TIG
- 500A
- 3-in-1 multi-process welder with separate wire feeder
- Stick and Lift-TIG function
- Three-phase 20A supply
- Supplied with electrode holder, MIG torch, regulator and more

\$4,995



ARCOMIG500SWF • \$5744.25 inc gst

MIG Wire Alloycraft ER5356 1.2mm 6kg Spool

- High strength, precision wound spool
- Excellent corrosion resistance
- Weldability across Mg aluminium alloys containing a maximum of 5% Mg
- All positions except vertical down
- AWS A5.10 ER5356 classification
- AS/NZS ISO 18273 AL5356

\$129



ARCOMIG53561.2 • \$148.35 inc gst

MIG Wire Mild Steel 15kg Spool

- 15kg spools for workshop use and large scale fabrication
- Ideal for fabrication of thin gauge steels, general
- steel construction and fabrication of structural steel
- ER70S-6 classification

\$54



| | | | |
|-----------------|-------|-----------------|------|
| ARCO70S60.8SP15 | 0.8mm | \$62.10 inc gst | \$54 |
| ARCO70S60.9SP15 | 0.9mm | \$62.10 inc gst | \$54 |
| ARCO70S61.0SP15 | 1.0mm | \$62.10 inc gst | \$54 |
| ARCO70S61.2SP15 | 1.2mm | \$62.10 inc gst | \$54 |

TIG Wire Alloycraft ER5356 2.5kg Pack

- 1,000mm rods in a 2.5kg pack
- Widely used general filler alloy rod
- Typically high shear strength alloy
- Good matching other alloys with 5% Mg
- AWS A5.10 ER5356
- AS/NZS ISO 18273 AL5356

\$69



| | | | |
|----------------|-------|-----------------|------|
| ARCOTIG53562.4 | 2.4mm | \$79.35 inc gst | \$69 |
| ARCOTIG53563.2 | 3.2mm | \$79.35 inc gst | \$69 |

MIG Wire Flux Core 1.2mm 15kg Spool

- All position flux-cored wire for use with CO2 shielding gas
- Single and multi-pass welding of low to medium carbon steels
- Easy slag removal
- E71T-1C classification

\$65



ARCOE71T1C1.2SP15 • \$74.75 inc gst



Combination Wrench 23pc

- Satin chrome finish
- Thin-wall construction
- Convex drive 12pt
- 15dg Offset at box end
- 6-32mm



\$283

T40196 • \$325.45 inc gst

Heavy Duty Reversible Air Drill 1/2"Dr (800 RPM)

- Drill Capacity : 1/2" Spindle/Thread Size : 3/8"-24
- Free Speed (RPM) : 800 Avg
- Air Consumption (CFM) : 4.0
- Air Pressure (PSI) : 90
- Air Inlet (NPT) : 1/4"
- Hose Size (ID) : 3/8"



\$235⁹⁰

AMPROAR2440 • \$271.29 inc gst

Combination Wrench

- Satin Chrome finish
- Thin-Wall Construction
- Convex Drive 12pt
- 15dg Offset at Box End



From **\$750**

| | | | |
|--------|------|-----------------|----------------|
| T40110 | 10mm | \$8.63 inc gst | \$7.50 |
| T40113 | 13mm | \$9.89 inc gst | \$8.60 |
| T40116 | 16mm | \$12.54 inc gst | \$10.90 |
| T40117 | 17mm | \$13.80 inc gst | \$12.00 |
| T40119 | 19mm | \$16.10 inc gst | \$14.00 |

Pro Air Die Grinder with 6mm and 1/4" Collets

- Throttle lever gives positive speed control
- Rear exhaust directs air away from work surface
- Ball bearing construction for longer tool life
- Collet size : 6mm
- Free Speed (RPM) : 25,000



\$95

AMPROAR3026 • \$109.25 inc gst



Attack Driver Rubber Grip Handle 6pc Set

- Phillips Bits - #2, #3
- Flat Bits 9, 11mm
- 1/2" Dr Attack Driver
- 1/2" Dr Bit Holder



\$89

KOKENAG112A • \$102.35 inc gst

Socket Set 6pt 25pc

- 6pt Sockets - 4, 5, 5.5, 6, 7, 8, 9, 10, 11, 12, 13mm,
- 6pt Sockets - 3/16, 7/32, 1/4, 9/32, 5/16, 11/32, 3/8, 7/16, 1/2"
- 1/4" Dr Ratchet 115mm
- 1/4" Dr Extension 100mm
- 1/4" Dr Socket Driver 150mm
- 1/4" Dr Universal
- 1/4" Dr Sliding-T Bar 115mm



\$205

KOKEN2201AM • \$235.75 inc gst



Wire Wheel Industrial - Coated Steel Loose

For use in difficult places to access. Great for the removal of rust, paint, scale, edges or any kind of adherence like the insides of tubes, dies etc.

- Maximum RPM 15,000
- 50mm x 10mm x 0.2mm
- 6mm Shank
- (WHEW-5000C)



\$12²⁰

WHEW-5000C • \$14.03 inc gst



900 Series Screwdriver Set 5pc

Made in Germany to exacting standards. Comfortable 2-component handle technology provides better grip and torque. Chrome-vanadium steel blades for strength and durability. Black tips for the perfect fit.

- Includes Flat 3.0x80, 4.0x100, 5.5x125 - PH2x100 - SQ2x160 screwdrivers



\$57⁵⁰

SCR-S900S5 • \$66.13 inc gst

WORLDWIDE

Caulking Gun Heavy Duty 260mm Skeleton Type

- Skeleton type caulking gun
- Heavy duty
- General purpose DIY
- Takes standard tubes



\$43⁸⁰

GUNC-03 • \$50.37 inc gst

LOCTITE®

243 Blue Medium Strength Threadlocker

- General purpose
- Medium strength
- Allows for disassembly with hand tools
- Temperature resistant up to 180°C
- Recommended on metal fasteners (M6 to M36)

\$49⁹⁰



LOC243-50 • \$57.39 inc gst

271 Red High Strength Threadlocker

- High strength
- Low viscosity
- Prevents loosening due to heavy shock and vibration
- Fluorescent under UV for quality control
- Removable with heat
- Seals threads and helps prevent leaks and corrosion
- Suitable for metal fasteners requiring permanent locking

\$50⁵⁰



LOC271-50 • \$58.08 inc gst

567 High Temperature Thread Sealant

- One-part formula
- Designed for tapered metal pipe threads and fittings
- Prevents loosening and leakage from shock and vibration
- High lubricity to prevent galling on stainless steel and aluminum
- Does not creep, shrink or block systems
- Provides instant low-pressure seal

\$31⁸⁰



LOC567-50 • \$36.57 inc gst

641 Medium Strength Retaining Compound

- Designed for bonding cylindrical fitting parts
- Medium strength
- Allows disassembly for service operations
- Prevents loosening and leakage from shock and vibration
- Ideal for parts requiring frequent servicing
- Suitable for retaining bearings onto shafts and into housings
- Secondary cure with activator

\$51



LOC641-50 • \$58.65 inc gst

510 High Temperature Gasket Sealant

- High temperature resistance
- Forms instant low-pressure seal between close-fitting metal surfaces
- Designed for rigid metal flanges
- Suitable for transmissions and motor casings
- Fills gaps up to 0.25 mm (0.01")
- Adapts to surface irregularities and scratches
- Recommended for aluminium and steel substrates
- Increases torque capacity of assembled flanges
- NSF Category P1 registered

\$51⁹⁰



LOC510-50 • \$59.69 inc gst

401 Instant Adhesive

- Universal industrial instant adhesive
- Fast fixturing
- Very high strength on close-fitting parts
- Bonds wide range of similar or dissimilar materials
- Suitable for metals, rubber, wood, cardboard, ceramics and most plastics
- Bonds porous materials such as wood, paper, leather and fabric
- Assembles difficult-to-bond plastics (PP, PE, PTFE) with primer
- Reduced hazardous ingredients for improved occupational safety

\$27³⁰



LOC401-25 • \$31.39 inc gst

LB 8150 Silver Grade Anti-Seize Lubricant

- Anti-seize lubricant paste
- Fortified with graphite and aluminum
- Contains extreme pressure (EP) additives
- Petroleum-based formula
- Silver-colored
- Resistant to temperatures up to 871°C (1600°F)
- Inert and will not evaporate or harden in extreme heat or cold
- Protects metal parts from corrosion, seizing and jamming in joints

\$45⁵⁰



LOC767-454 • \$52.33 inc gst

LB ML-11 Multi-Purpose Lubricant

- Light, semi-drying aerosol spray lubricant
- Penetrates and lubricates
- Displaces moisture
- Cleans and degreases surfaces
- Protects metal surfaces from corrosion
- Suitable for use between +5°C and +35°C (+41°F to +95°F)
- Two spray nozzle options

\$10⁶⁰



LOC-ML11 • \$12.19 inc gst

SF 7063 Parts Cleaner

- Solvent-based cleaning and degreasing agent
- Contains naphtha hydrotreated light, dimethoxymethane and ethanol
- Designed for pre-assembly surface preparation
- Effectively removes grease, oil, lubrication fluids, metal cuttings and fines
- Suitable for cleaning machine components during maintenance
- Very low viscosity
- Does not contain CFC
- Leaves no residue

\$16⁶⁰



LOC7063 • \$19.09 inc gst

TIMKEN

QUICK-FLEX® COUPLINGS

Durability for the Long Haul

When your equipment operates in harsh environments, you need products you can count on, like Timken Quick-Flex elastomeric couplings. They are durable enough to face extreme challenges yet need minimal maintenance. They are also easy to install and require no lubrication. With a lifespan that may last as long as your equipment, overall cost of ownership remains low.

Pioneering Design

Timken Quick-Flex couplings' innovative design features two steel hubs, a polyurethane insert and a cover.

Our styles include:

- Standard couplings.
- Single-ended spacer couplings.
- Double-ended spacer couplings.

Whatever your application, you'll find a Timken coupling to suit your needs:

- Twelve families with bore ranges from 10 mm (0.37 in.) to 285 mm (11.25 in.).
- Continuous torque handling from 0.043 kNm (377 in.-lbs.) to 188.8 kNm (1,670,826 in.-lbs.).
- Able to handle temperatures from -51° C to 176° C (-60° F to 350° F).

Product Advantages

MORE UPTIME

Your hubs and shafts may remain intact when you use Timken Quick-Flex couplings. Our design helps eliminate mechanical interference between coupling hubs that can damage your equipment. As needed, you can replace the urethane insert quickly and easily without removing the hubs.

DURABILITY

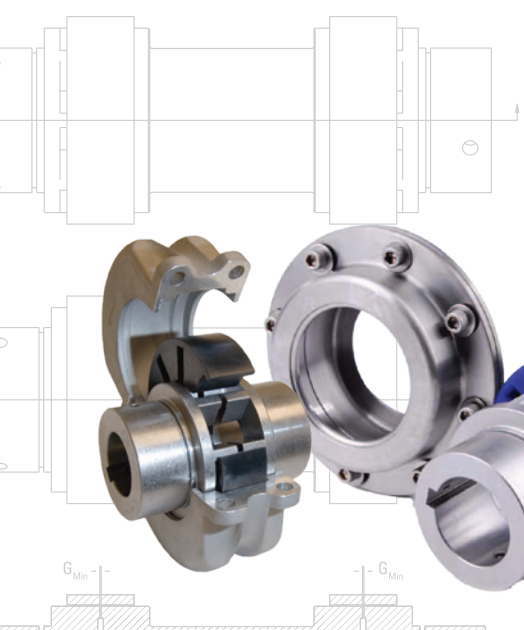
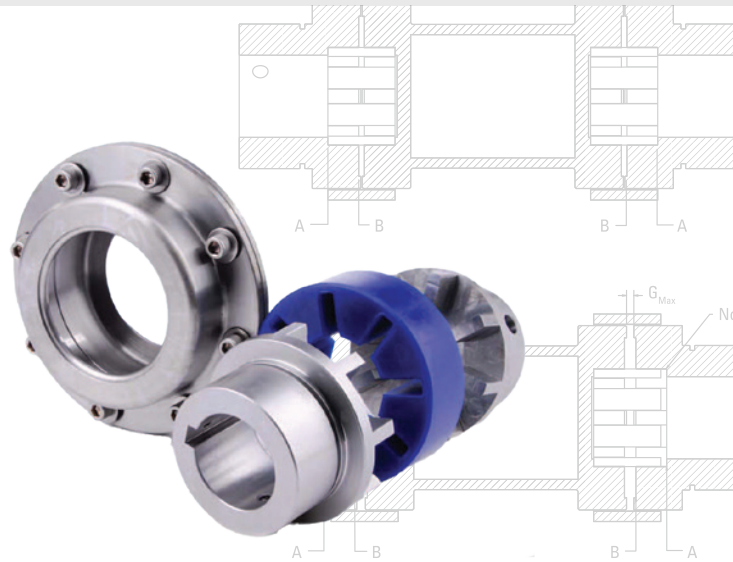
There's no metal-to-metal contact between opposing hubs with Timken Quick-Flex couplings, so you'll save money not replacing hubs or other metal components since they do not wear. For harsh environments, including wash-downs for food processing, we offer a stainless-steel version of each coupling.

REDUCED INVENTORY

The versatility of the Timken Quick-Flex design promotes component standardization across your plant, reducing the need to stock multiple coupling styles and configurations.

Product Features

- Solid and split covers handle high speeds and torque.
- Design dampens torsional vibration and shock.
- Accepts shaft misalignment up to 2 degrees.
- Eliminates the need to move or disassemble the driving or driven equipment to replace the coupling insert.
- Versatility of design makes it a great tool for plant standardization.
- Accepts shaft sizes from 10 mm (0.37 in.) to 285 mm (11.25 in.).
- Peak handling torque from 0.085 kNm (754 in.-lbs.) to 377.5 kNm (3,341,562 in.-lbs.).
- Standard and double-ended spacer couplings available for shaft separations of 25.4 mm to 3,048 mm (1 in. to 120 in.), for increased application acceptance.
- Four bore options available to meet customers' needs...
 1. Bored, keyed, and set screws style – clearance and interference fit
 2. Bushing style
 3. Splined style
 4. Mill-motor style.
- Stainless-steel versions available for corrosive environments.
- Four insert choices for varying torque needs and temperature ranges, up to 177° C (350° F).
- Replaces many common gear, grid and elastomeric couplings used in high- and low-torque applications to reduce plant complexity.
- Inherently balanced from precision machining for highspeed applications.
- Split-cover options help resist axial separating force under high torque.





316L Stainless Steel Electrodes 5kg

- Low carbon, core wire alloyed
- For same type steels including higher carbon-steels and ferritic 13% chrome steels
- 316L-16 classification



BOH316LR2.5 2.5mm \$154.10 inc gst **\$134.00**
BOH316LR3.2 3.2mm \$166.75 inc gst **\$145.00**

Evolution Vision Welding Helmet

- Flip-up design
- High-impact and heat-resistant nylon shell
- UHD display - 1/1/1/1 classification
- 4-8 and 9-14 shade adjustment
- Clear grinding lens with wide 65x96mm viewing area



BOH87127 • \$684.25 inc gst

Big Vision Grinding Visor

- High-impact and heat-resistant nylon shell
- Wide viewing area 180x160mm for unrestricted field of vision
- Lightweight with comfortable headgear and quality sweatband



BOH73280 • \$88.25 inc gst

General Purpose Welding Electrodes 5kg

- Rutile-cellulosic coated electrode with good weldability in all positions
- E6013 classification for general purpose use
- Ideal for small welding machines, with very good operating characteristics
- Versatile applications in structural welding, vehicle construction, shipbuilding, boilers and tank welding



BOH6013OHV2.5 2.5mm \$45.77 inc gst **\$39.80**
BOH6013OHV3.2 3.2mm \$52.44 inc gst **\$45.60**
BOH6013OHV4.0 4.0mm \$43.47 inc gst **\$37.80**

Low Hydrogen Electrode

- Handy 2kg vac pack
- Crack-free weld metal when welding highcarbon steels
- Suitable for use in tank construction, boiler and pressure vessel manufacturer, apparatus engineering, vehicle manufacture, offshore applications and ship building



BOHE7018-1H4R2.5VP2.5mm \$14.49 inc gst **\$12.60**
BOHE7018-1H4R3.2VP3.2mm \$18.98 inc gst **\$16.50**
BOHE7018-1H4R4.0VP4.0mm \$20.13 inc gst **\$17.50**

Repair and Maintenance Electrodes

- Ideal for joining and repairing high manganese content steel and mild steels with elevated carbon content
- Suitable for dissimilar joints of steels
- Resistant to scaling up to 850°C
- Easy slag removal
- Weld SS to mild steel
- Tough buffer layer beneath hard facing overlay



BOHUTP632.5 2.5mm 3.3kg \$155.25 inc gst **\$135.00**
BOHUTP633.2 3.2mm 4.8kg \$197.80 inc gst **\$172.00**

Evolution 65F Welding Respiratory Kit

- Ready to use Evolution 65F welding respiratory kit



BOH88481 • \$2,587.50 inc gst

Flux Core MIG Wire Q71Ti 1.2mm 15kg

- Suitable for butt and fillet welding of hulls, storage tanks, steel structures and bridges
- Rutile flux cored wire with fast freezing slag
- Excellent welding characteristics in all positions
- For use with CO2 shielding gas
- Easy slag removability with low spatter level
- Smooth and well-shaped beads



BOHQ71T1CO21.2 • \$83.38 inc gst

Anti-Spatter Spray 400ml

- Prevents spatter on workpieces and welding torches
- Unique formulation and viscosity means it offers exceptional adhesion to metal surfaces
- 360° valve - can be applied in all positions
- Non-flammable
- No residue
- Biodegradable



BOH63660 • \$18.86 inc gst

MOTION



Delivering a world-class customer-first approach providing excellence and expertise in industrial products, solutions and services.



Find a location near you!

Scan the QR Code to find out more or visit Motion.co.nz

SAECOWilson
Bearings | Power Transmission | Engineering Supplies

SiL SEAL
INNOVATIONS

Bay Engineers Supplies

HCD
Flow Technology

HOST
SUPPLIES

C&T
CONVEYOR & TRANSMISSION